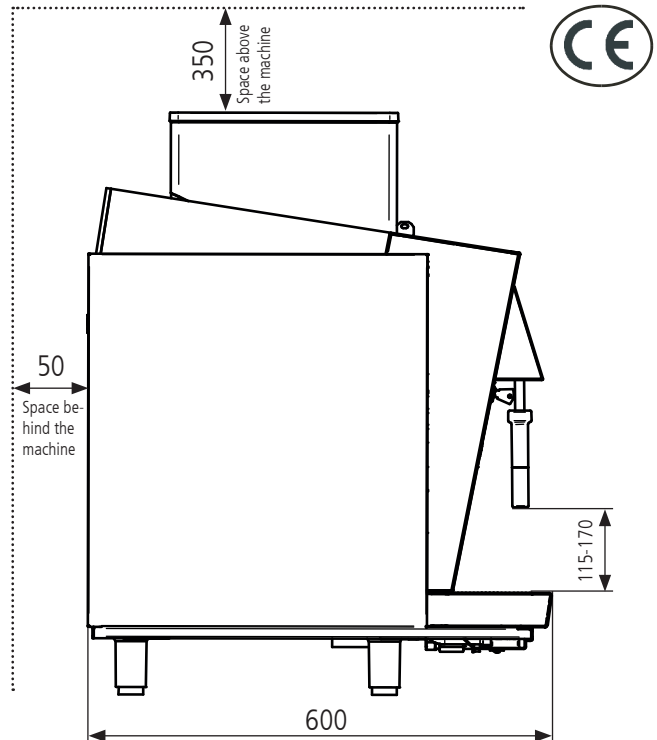
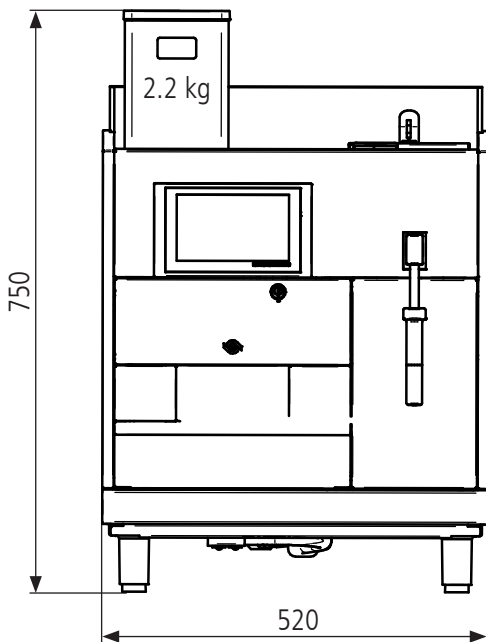


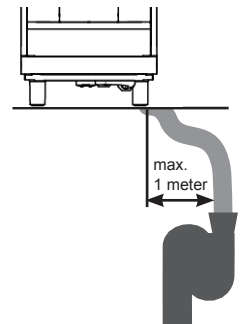
Cut sheet B



| Automatic coffee machin Black&White 3 B |                                |
|---|--------------------------------|
| Connection                              | 220-240 VAC   16 A   50/60 Hz  |
| Output                                  | 3200-3900 W                    |
| Dimensions                              | 520 x 600 x 750 mm (W / D / H) |
| Coffee spout height standard            | 80-173 mm                      |
| Weight                                  | 62.5 kg                        |

Drainage

The distance between the drain and the machine must not be more than 1m. Make sure there is no dip or any back pressure in the drain hose. The end of the hose must not be in the water.



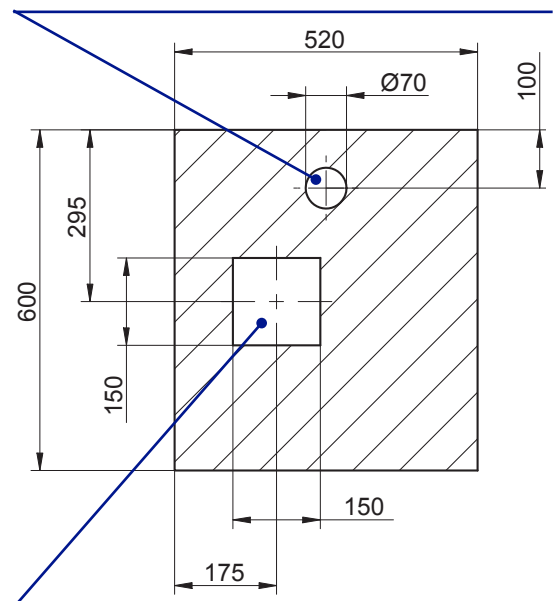
|                  |                     |
|------------------|---------------------|
| Water connection | 3/8"                |
| Water pressure   | 2-4 bar / 30-60 psi |
| Chlorine         | none                |
| TDS              | 70-200 ppm          |
| Hardness         | 5-8 °dH (8-14 °fH)  |
| pH               | 6.8-7.4             |
| Alkalinity       | less than 100 ppm   |
| Iron             | less than 0.25 ppm  |

Conversion table water hardness:

| Water hardness | DE    | FR   | EN   | Ppm  | Mval/l |
|----------------|-------|------|------|------|--------|
| 1° dH          | 1.0   | 1.79 | 1.25 | 17.8 | 0.357  |
| 1° fH          | 0.56  | 1.0  | 0.7  | 10.0 | 0.2    |
| 1° e           | 0.8   | 1.43 | 1.0  | 14.3 | 0.86   |
| 1° ppm         | 0.056 | 0.1  | 0.07 | 1.0  | 0.02   |
| 1 mval/l       | 2.8   | 5.0  | 3.5  | 50.0 | 1.0    |

For more information see Technical Manual.

Hole diameter 70mm for water inlet and outlet.  
Also possible for electric cords.



Hole 150 x 150mm for coffee grounds drawer.  
Special grounds drawer needed.