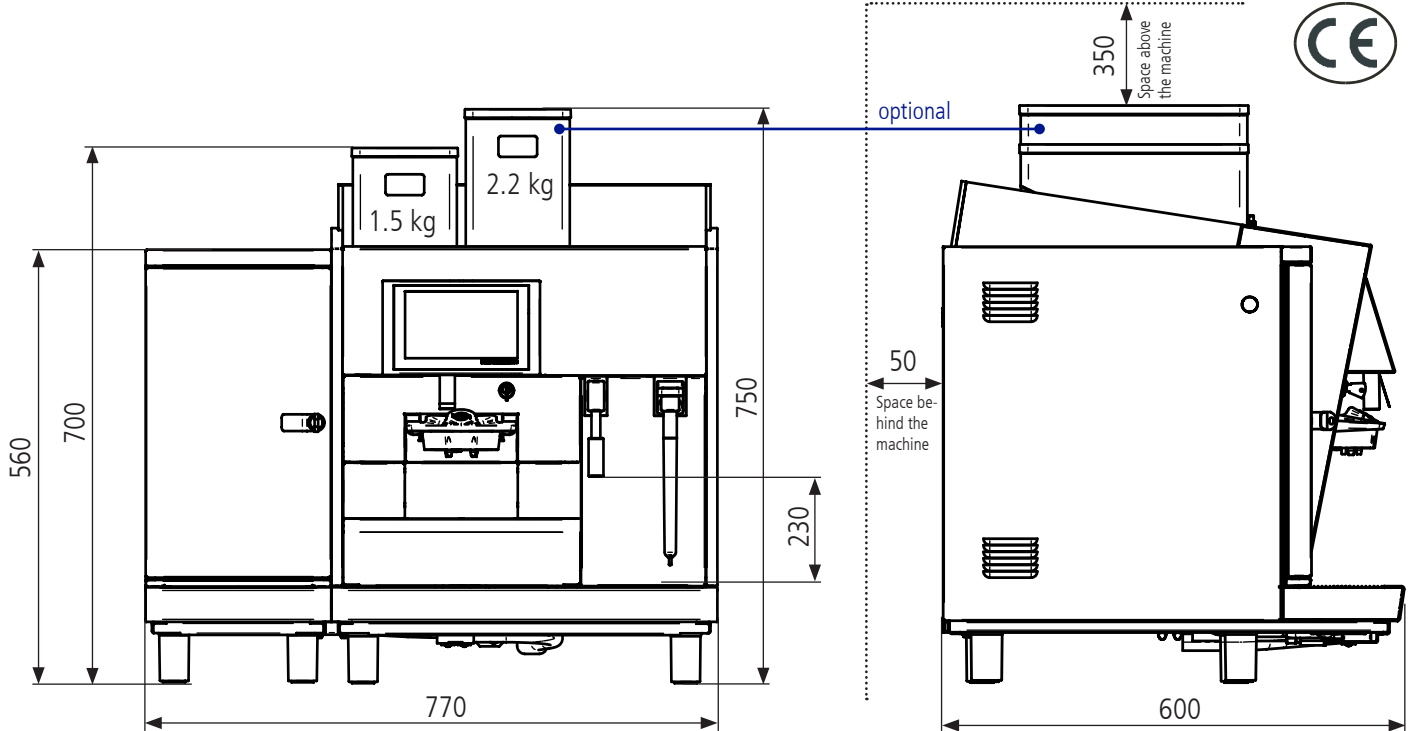


Cut sheet CTMS



Automatic coffee machine Black&White 3 CTMS	
Connection	220-240 VAC 32 A 50/60 Hz 380-415 VAC 3x16 A 50/60 Hz Refrigerator: 220-240 VAC 0.3 A 50/60 Hz
Output	6300-7500 W 6900-8300 W Refrigerator: 72 W
Dimensions	770 x 600 x 700 (750) mm (W / D / H)
Coffee spout height standard	80-173 mm
Coffee spout height POD	80-163 mm
Weight	100 kg

Water connection	3/8"
Water pressure	2-4 bar / 30-60 psi
Chlorine	none
TDS	70-200 ppm
Hardness	5-8 °dH (8-14 °fH)
pH	6.8-7.4
Alkalinity	less than 100 ppm
Iron	less than 0.25 ppm

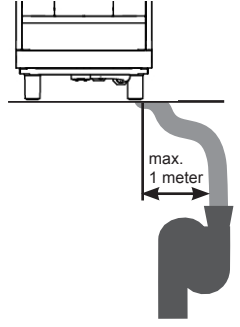
Conversion table water hardness:

Water hardness	DE	FR	EN	Ppm	Mval/l
1° dH	1.0	1.79	1.25	17.8	0.357
1° fH	0.56	1.0	0.7	10.0	0.2
1° e	0.8	1.43	1.0	14.3	0.86
1° ppm	0.056	0.1	0.07	1.0	0.02
1 mval/l	2.8	5.0	3.5	50.0	1.0

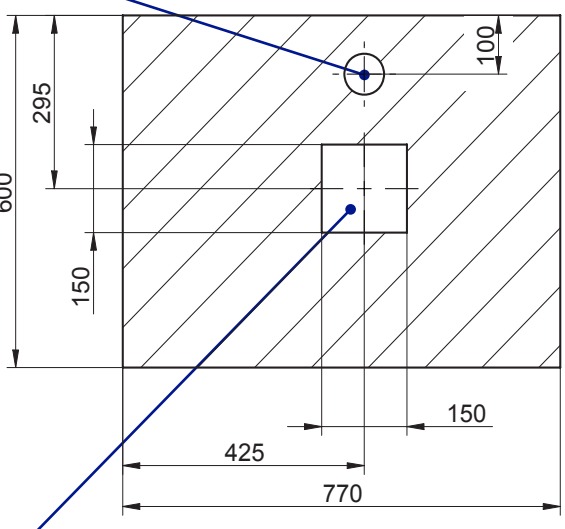
For more information see Technical Manual.

Drainage

The distance between the drain and the machine must not be more than 1m. Make sure there is no dip or any back pressure in the drain hose. The end of the hose must not be in the water.



Hole diameter 70mm for water inlet and outlet.
Also possible for electric cords.



Hole 150 x 150mm for coffee grounds drawer.
Special grounds drawer needed.