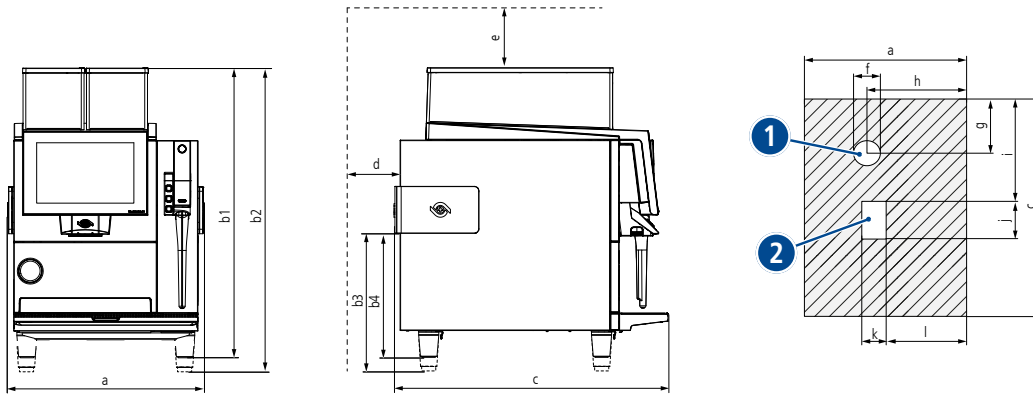


# BW4 Competizione



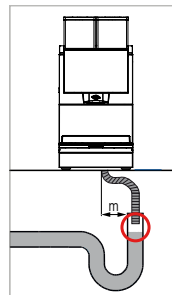
1 Cut-out for water/milk inlet and water drain. Also possible for power cord.

2 Cut-out for grounds ejection.

a	439 mm / 17.28 in	b4	278 mm / 10.94 in	f	70 mm / 2.75 in	j	106 mm / 4.17 in
b	CE: 648 mm / 25.51 in	c	614 mm / 24.17 in	g	150 mm / 5.9 in	k	63 mm / 2.48 in
b2	USA/CA: 678 mm / 26.69 in	d	50 mm / 1.96 in	h	252 mm / 9.92 in	l	203 mm / 7.99 in
b3	308 mm / 12.12 in	e	350 mm / 13.77 in	i	281 mm / 11.06 in		

### Drain

- m: Distance machine to drain < 1000 mm / 39.37 in.
- Drain line (hose) not sagging.
- No back pressure in the water line.
- The end of the line not submerged in water.



Machine parameters		Water connection specifications	
Connection / Power CE	Machine with one phase: 220-240 VAC / 50-60 Hz / 5800-6600 W / 32 A  Machine with three phases: 380-415 VAC / 50-60 Hz / 5800-6600 W / 3 x16 A	Water connection	3/8"
		Dynamic water pressure	0.2-0.4 MPa (2-4 bar) / 30-60 psi (required operating pressure)
		Max. water inlet pressure	1 MPa (10 bar) / 145 psi (if the pressure exceeds 4 bar, a pressure reducer must be used)
		Water boiler pressure	11.7 bar / 169.6 psi
Connection / Power USA/CA	208 VAC / 60 Hz 5700 W / 27 A	Steam boiler pressure	2.6 bar / 37.7 psi
		Chlorine	none
Outlet height	85-172 mm (manual) / 100-190 mm (autom.) 3.34-6.77 in (manual) / 3.93-7.48 in (autom.)	TDS	70-200 ppm
		Total hardness	5-8 °dH / 8-14 °fH
		pH	6.8-7.4
		Alkalinity	<100 ppm
Weight	71 kg / 156.52 lbs	Iron	<0.25 ppm