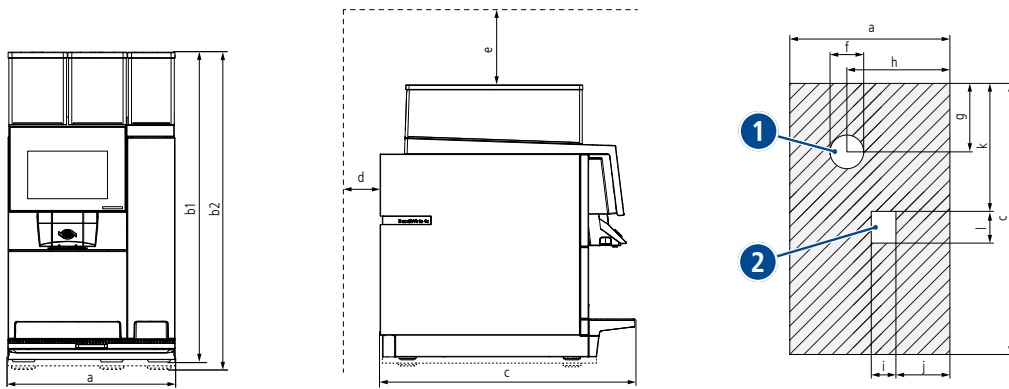


# BW4c-CTM-P (CE / USA/CA)



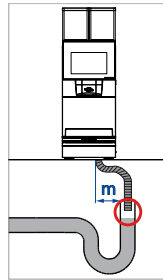
1 Cut-out for water/milk inlet and water drain.  
Also possible for power cord.

2 Cut-out for grounds ejection.

<b>a</b>	320 mm / 12.6 in	<b>c</b>	600 mm / 23.62 in	<b>f</b>	70 mm / 2.76 in	<b>i</b>	50 mm / 1.97 in
<b>b1</b>	CE: 646 mm / 25.43 in (feet: 57 mm / 2.24 in)	<b>d</b>	50 mm / 1.97 in	<b>g</b>	150 mm / 5.91 in	<b>j</b>	106 mm / 4.17 in
<b>b2</b>	USA/CA: 676 mm / 26.61 in (feet: 87 mm / 3.43 in)	<b>e</b>	350 mm / 13.78 in	<b>h</b>	206 mm / 8.11 in	<b>k</b>	282 mm / 11.1 in
						<b>l</b>	70 mm / 2.76 in

### Drain

- **m**: Distance machine to drain < 1000 mm / 39.37 in.
- Drain line (hose) not sagging.
- No back pressure in the water line.
- The end of the line not submerged in water.



### Refrigerator milk suction hose

- Length of refrigerator milk suction hose = 1200 mm / 47.24 in or 2200 mm / 86.6 in. Position the refrigerator close enough to the coffee machine.
- Height difference between the lower part of the refrigerator and the coffee machine < 1000 mm / 39.37.

Machine parameters		Water connection specifications	
<b>Connection / Power CE</b>	220-240 VAC / 50-60 Hz 2700-3100 W / 13 A	<b>Water connection</b>	3/8"
<b>Connection / Power USA/CA</b>	208 VAC / 60 Hz 2700 W / 13 A	<b>Dynamic water pressure</b>	0.2-0.4 MPa (2-4 bar) / 30-60 psi (required operating pressure)
<b>Outlet height</b>	85-175 mm (manual) / 100-190 mm (autom.)  3.35-6.89 in (manual) / 3.94-7.48 in (autom.)	<b>Max. water inlet pressure</b>	1 MPa (10 bar) / 145 psi (if the pressure exceeds 4 bar, a pressure reducer must be used)
<b>Weight</b>	49 kg / 108 lbs	<b>Water boiler pressure</b>	11.7 bar 169.6 psi
		<b>Steam boiler pressure</b>	2.6 bar 37.7 psi
		<b>Chlorine</b>	None
		<b>TDS</b>	70-200 ppm
		<b>Total hardness</b>	5-8 °dH / 8-14 °fH
		<b>pH</b>	6.8-7.4
		<b>Alkalinity</b>	<100 ppm
		<b>Iron</b>	<0.25 ppm