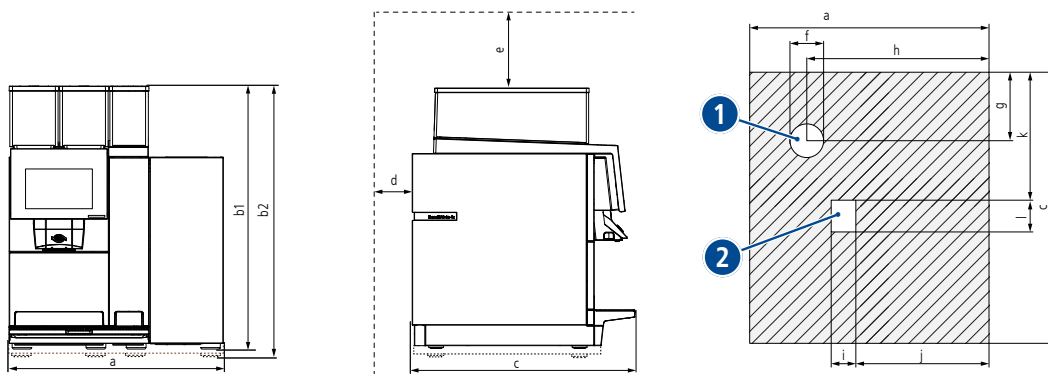


BW4c-CTM-P-F (CE / USA/CA)



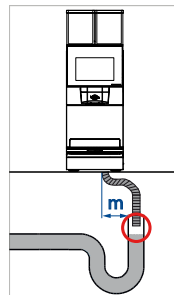
1 Cut-out for water/milk inlet and water drain.
Also possible for power cord.

2 Cut-out for grounds ejection.

| | | | | | | | |
|-----------|--|----------|-------------------|----------|------------------|----------|-------------------|
| a | 490 mm / 19.29 in | c | 600 mm / 23.62 in | f | 70 mm / 2.76 in | i | 50 mm / 1.97 in |
| b1 | CE: 646 mm / 25.43 in (feet: 57 mm / 2.24 in) | d | 50 mm / 1.97 in | g | 150 mm / 5.91 in | j | 276 mm / 10.86 in |
| b2 | USA/CA: 676 mm / 26.61 in (feet: 87 mm / 3.43 in) | e | 350 mm / 13.78 in | h | 376 mm / 14.8 in | k | 282 mm / 11.1 in |
| | | | | | | l | 70 mm / 2.76 in |

Drain

- **m**: Distance machine to drain < 1000 mm / 39.37 in.
- Drain line (hose) not sagging.
- No back pressure in the water line.
- The end of the line not submerged in water.



Refrigerator milk suction hose

- Length of refrigerator milk suction hose = 1200 mm / 47.24 in or 2200 mm / 86.6 in. Position the refrigerator close enough to the coffee machine.
- Height difference between the lower part of the refrigerator and the coffee machine < 1000 mm / 39.37.

| Machine parameters | | Water connection specifications | |
|----------------------------------|---|----------------------------------|---|
| Connection / Power CE | 220-240 VAC / 50-60 Hz 2700-3100 W / 13 A | Water connection | 3/8" |
| Connection / Power USA/CA | 208 VAC / 60 Hz 2700 W / 13 A | Dynamic water pressure | 0.2-0.4 MPa (2-4 bar) / 30-60 psi (required operating pressure) |
| Outlet height | 85-175 mm (manual) / 100-190 mm (autom.) 3.35-6.89 in (manual) / 3.94-7.48 in (autom.) | Max. water inlet pressure | 1 MPa (10 bar) / 145 psi (if the pressure exceeds 4 bar, a pressure reducer must be used) |
| Weight | 63 kg / 138.9 lbs | Water boiler pressure | 11.7 bar 169.6 psi |
| | | Steam boiler pressure | 2.6 bar 37.7 psi |
| | | Chlorine | None |
| | | TDS | 70-200 ppm |
| | | Total hardness | 5-8 °dH / 8-14 °fH |
| | | pH | 6.8-7.4 |
| | | Alkalinity | <100 ppm |
| | | Iron | <0.25 ppm |