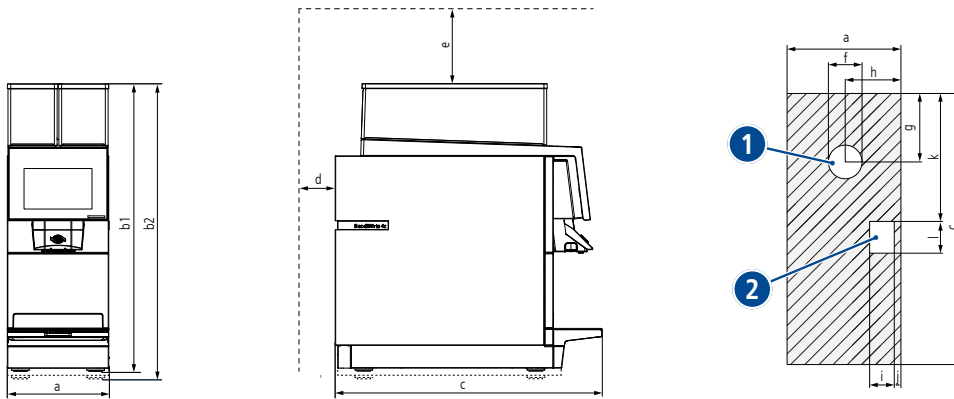


BW4c-CTM (CE / USA/CA)



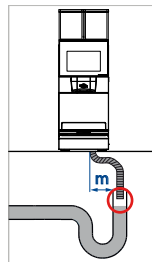
1 Cut-out for water/milk inlet and water drain.
Also possible for power cord.

2 Cut-out for grounds ejection.

a	228 mm / 8.98 in	c	600 mm / 23.62 in	f	70 mm / 2.76 in	i	50 mm / 1.97 in
b1	CE: 646 mm / 25.43 in (feet: 57 mm / 2.24 in)	d	50 mm / 1.97 in	g	150 mm / 5.91 in	j	14 mm / 0.55 in
b2	USA/CA: 676 mm / 26.61 in (feet: 87 mm / 3.43 in)	e	350 mm / 13.78 in	h	114 mm / 4.49 in	k	282 mm / 11.1 in
						l	70 mm / 2.76 in

Drain

- **m**: Distance machine to drain < 1000 mm / 39.37 in.
- Drain line (hose) not sagging.
- No back pressure in the water line.
- The end of the line not submerged in water.



Refrigerator milk suction hose

- Length of refrigerator milk suction hose = 1200 mm / 47.24 in or 2200 mm / 86.6 in. Position the refrigerator close enough to the coffee machine.
- Height difference between the lower part of the refrigerator and the coffee machine < 1000 mm / 39.37.

Machine parameters		Water connection specifications	
Connection / Power CE	220-240 VAC / 50-60 Hz 2700-3100 W / 13 A	Water connection	3/8"
Connection / Power USA/CA	208 VAC / 60 Hz 2700 W / 13 A	Dynamic water pressure	0.2-0.4 MPa (2-4 bar) / 30-60 psi (required operating pressure)
Outlet height	85-175 mm (manual) / 100-190 mm (autom.) 3.35-6.89 in (manual) / 3.94-7.48 in (autom.)	Max. water inlet pressure	1 MPa (10 bar) / 145 psi (if the pressure exceeds 4 bar, a pressure reducer must be used)
Weight	43 kg / 94.8 lbs	Water boiler pressure	11.7 bar 169.6 psi
		Steam boiler pressure	2.6 bar 37.7 psi
		Chlorine TDS	None 70-200 ppm
		Total hardness	5-8 °dH / 8-14 °fH
		pH	6.8-7.4
		Alkalinity	<100 ppm
		Iron	<0.25 ppm