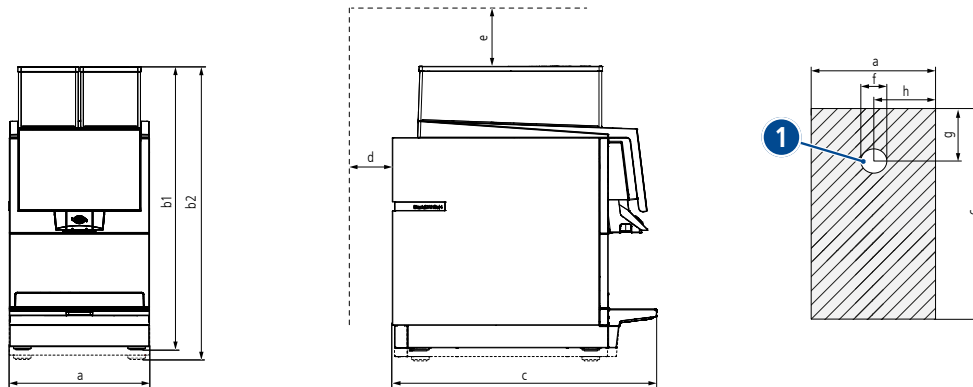


# BW4-CT (CE)

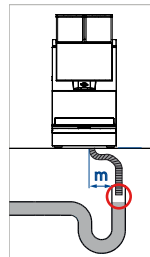


1 Cut-out for water/milk inlet and water drain. Also possible for power cord.

<b>a</b>	320 mm / 12.59 in	<b>c</b>	600 mm / 23.62 in	<b>e</b>	350 mm / 13.77 in	<b>g</b>	150 mm / 5.9 in
<b>b</b>	CE: 646 mm / 25.43 in (feet: 57 mm / 2.24 in) or optional 676 mm / 26.61 in (feet: 87 mm / 3.42 in)	<b>d</b>	50 mm / 1.96 in	<b>f</b>	70 mm / 2.75 in	<b>h</b>	160 mm / 6.29 in

### Drain

- **m**: Distance machine to drain < 1000 mm / 39.37 in.
- Drain line (hose) not sagging.
- No back pressure in the water line.
- The end of the line not submerged in water.



Machine parameters		Water connection specifications	
<b>Connection / Power CE</b>	Machine with one phase (limited power): 220-240 VAC / 50-60 Hz / 3100-3700 W / 16 A	<b>Water connection</b>	3/8"
		<b>Dynamic water pressure</b>	0.2-0.4 MPa (2-4 bar) / 30-60 psi (required operating pressure)
		<b>Max. water inlet pressure</b>	1 MPa (10 bar) / 145 psi (if the pressure exceeds 4 bar, a pressure reducer must be used)
		<b>Water boiler pressure</b>	11.7 bar / 169.6 psi
		<b>Steam boiler pressure</b>	2.6 bar / 37.7 psi
		<b>Chlorine</b>	None
<b>Outlet height</b>	85-172 mm (manual) / 100-190 mm (autom.) 3.34-6.77 in (manual) / 3.93-7.48 in (autom.)	<b>TDS</b>	70-200 ppm
		<b>Total hardness</b>	5-8 °dH / 8-14 °fH
		<b>pH</b>	6.8-7.4
		<b>Alkalinity</b>	<100 ppm
<b>Weight</b>	53 kg / 116.85 lbs	<b>Iron</b>	<0.25 ppm