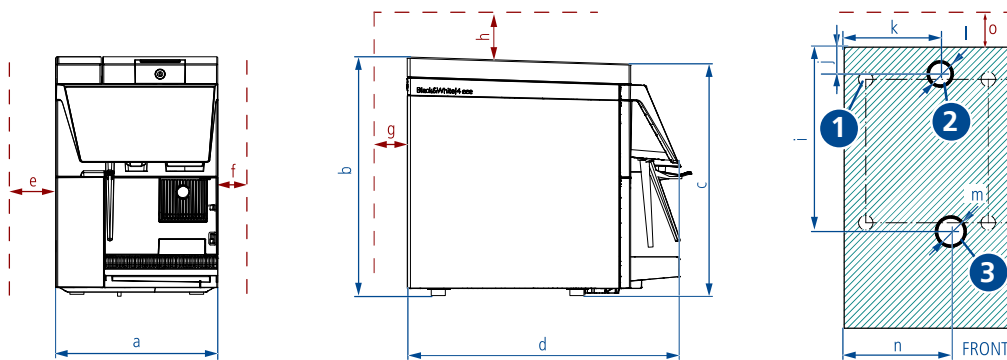


# BW4 neo CT/CT-S (CE)



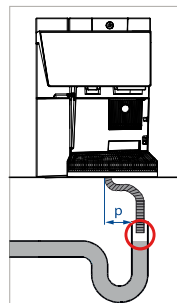
- 1 Machine feet
- 2 Fixed water connection and drain
- 3 Grounds ejection (optional)

<b>a</b>	345 mm	<b>b</b>	505 mm 550* mm	<b>c</b>	490 mm 535* mm	<b>d</b>	580 mm
<b>e</b>	150 mm	<b>f</b>	100 mm	<b>g</b>	80 mm	<b>h</b>	350 mm
<b>i</b>	379 mm	<b>j</b>	55 mm	<b>k</b>	200 mm	<b>l</b>	50 mm
<b>m</b>	60 mm	<b>n</b>	222 mm	<b>o</b>	80 mm		

\* Height fixed water / wastewater operation

## Drain

- **p**: Distance of machine to drain < 1 m
- Drain line (hose) not sagging.
- No back pressure in the water line.
- The end of the line not submerged in water.



Machine parameters		Water connection specifications	
<b>Connection / power CE</b>	220-240 VAC	<b>Water supply</b>	3/8"
	50-60 Hz	<b>Dynamic water pressure</b>	2-4 bar
	2000-2350 W	<b>Steam boiler pressure</b>	2.6 bar
<b>Weight</b>	25 kg	<b>Chlorine</b>	None
		<b>TDS</b>	70-200 ppm
		<b>Total hardness</b>	5-8 °dH
		<b>pH</b>	6.8-7.4
		<b>Alkalinity</b>	<100 ppm
		<b>Iron</b>	<0.25 ppm