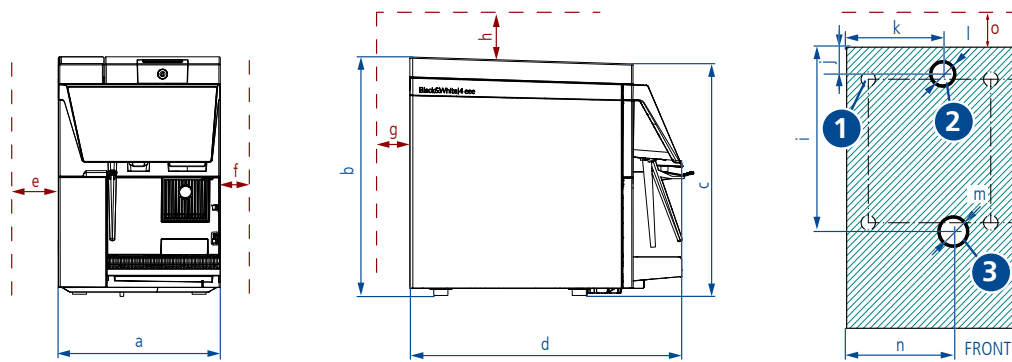


# BW4neo CT/CT-S/CT-P (CE)



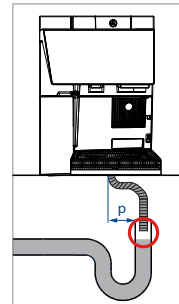
- 1 Machine feet
- 2 Fixed water connection and drain
- 3 Grounds ejection (optional)

|          |                  |          |  |          |                                      |          |                  |
|----------|------------------|----------|--|----------|--------------------------------------|----------|------------------|
| <b>a</b> | 345 mm (13.6 in) | <b>b</b> | 505 mm (19.9 in)<br>550* mm (21.6* in) | <b>c</b> | 490 mm (19.3 in)<br>535* mm (21* in) | <b>d</b> | 580 mm (22.8 in) |
| <b>e</b> | 150 mm (5.9 in)  | <b>f</b> | 100 mm (3.9 in)                        | <b>g</b> | 80 mm (3.1 in)                       | <b>h</b> | 350 mm (13.8 in) |
| <b>i</b> | 379 mm (14.9 in) | <b>j</b> | 55 mm (2.1 in)                         | <b>k</b> | 200 mm (7.8 in)                      | <b>l</b> | 50 mm (1.9 in)   |
| <b>m</b> | 60 mm (2.3 in)   | <b>n</b> | 222 mm (8.7 in)                        | <b>o</b> | 80 mm (3.1 in)                       |          |                  |

\* Height fixed water / wastewater operation

### Drain

- **p**: Distance of machine to drain < 1 m / 39.37 in.
- Drain line (hose) not sagging.
- No back pressure in the water line.
- The end of the line not submerged in water.



| Machine parameters           |  | Water connection specifications  |   |
|------------------------------|--|----------------------------------|---|
| <b>Connection / power CE</b> | 220-240 VAC<br>50-60 Hz<br>2000-2350 W | <b>Water supply</b>              | 3/8"  |
|                              |  | <b>Dynamic water pressure</b>    | 0.2-0.4 MPa (2-4 bar) / 30-60 psi (required operating pressure)                           |
|                              |  | <b>Max. water inlet pressure</b> | 1 MPa (10 bar) / 145 psi (if the pressure exceeds 4 bar, a pressure reducer must be used) |
|                              |  | <b>Steam boiler pressure</b>     | 2.6 bar   |
| <b>Weight</b>                | CT/CT-S: 25 kg<br>CT-P: 28.5 kg        | <b>Chlorine</b>                  | None  |
|                              |  | <b>TDS</b>                       | 70-200 ppm  |
|                              |  | <b>Total hardness</b>            | 5-8 °dH   |
|                              |  | <b>pH</b>                        | 6.8-7.4   |
|                              |  | <b>Alkalinity</b>                | <100 ppm  |
|                              |  | <b>Iron</b>                      | <0.25 ppm   |